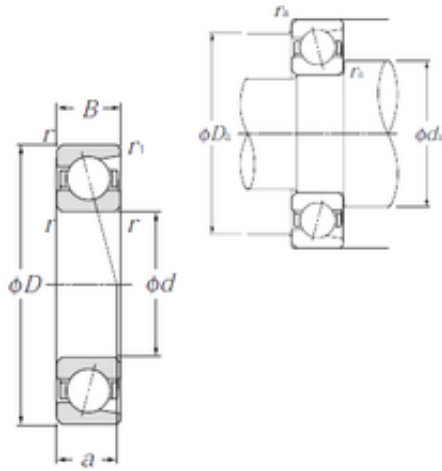




NTN BEARING CORP.OF

160 mm x 290 mm x 48 mm NTN 7232 Angular Contact Ball Bearings



Bearing No. 7232

Size	160x290x48 mm
Bore Diameter	160 mm
Outer Diameter	290 mm
Width	48 mm
d	160 mm
D	290 mm
B	48 mm
C	48 mm
Angle (°)	25 °
a	89 mm
r min.	3 mm
r1 min.	1,1 mm
da min.	174 mm
ra max.	2,5 mm
Weight	13,7 Kg
Basic dynamic load rating (C)	263 kN
Basic static load rating (C0)	305 kN
(Grease) Lubrication Speed	2 400 r/min

7232 Bearing 2D drawings and 3D CAD models