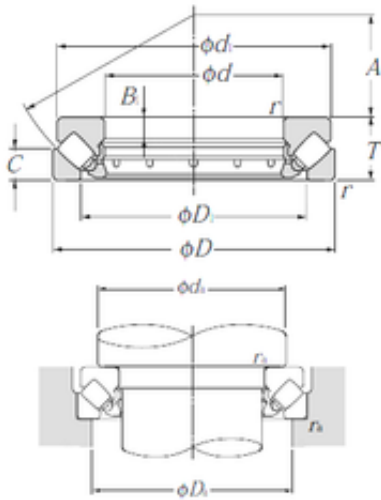




# NTN BEARING CORP.OF

## NTN 29284 Self-Aligning Thrust Roller Bearings

Bearing No. 29284



29284 Bearing 2D drawings and 3D CAD models

Size	420x580x95 mm
Bore Diameter	420 mm
Outer Diameter	580 mm
Width	95 mm
d	420 mm
D	580 mm
T	95 mm
B1	30 mm
C	46 mm
d1	564 mm
r min.	5 mm
A	225 mm
D1	489 mm
da min.	490 mm
Da max.	525 mm
ra max.	4 mm
Weight	76,6 Kg
Basic dynamic load rating (C)	2 100 kN
Basic static load rating (C0)	10 400 kN